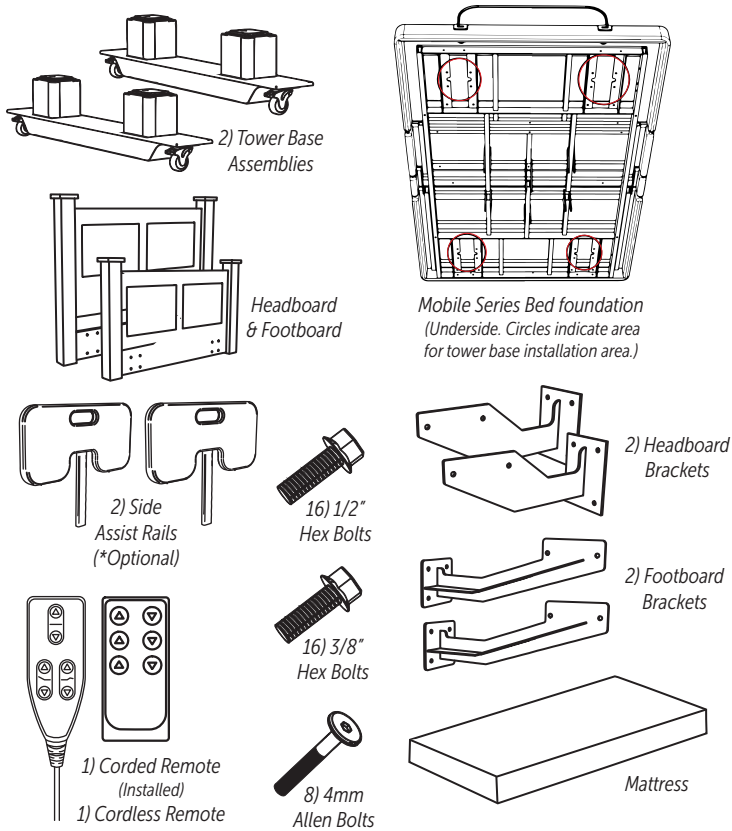


MOBILE SERIES

QUEEN/FULL SIZE
HEADBOARD
FOOTBOARD
SIDE ASSIST RAILS*

Contents must include the following parts:



Tools needed:

1/2" Socket or Wrench
and
3/8" Socket or Wrench

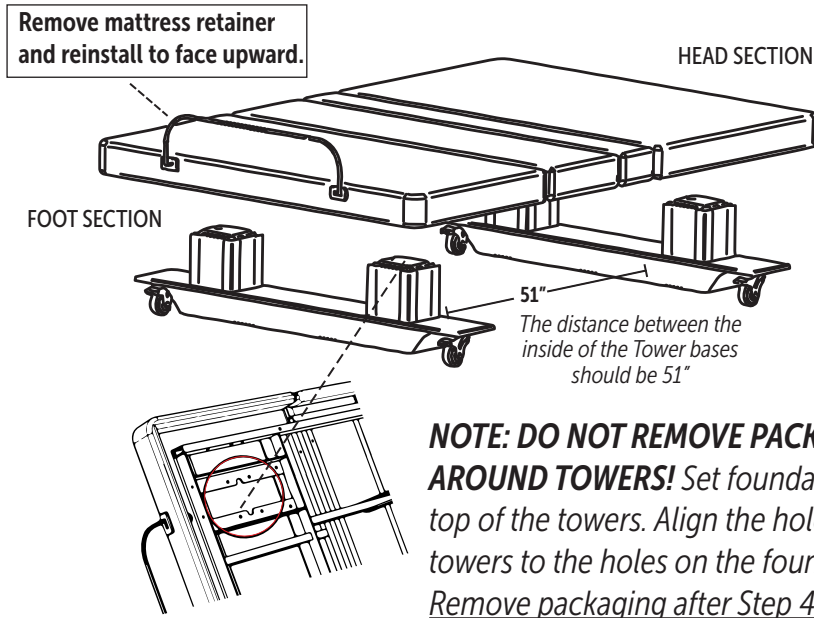


4mm
Allen Wrench
(Supplied)

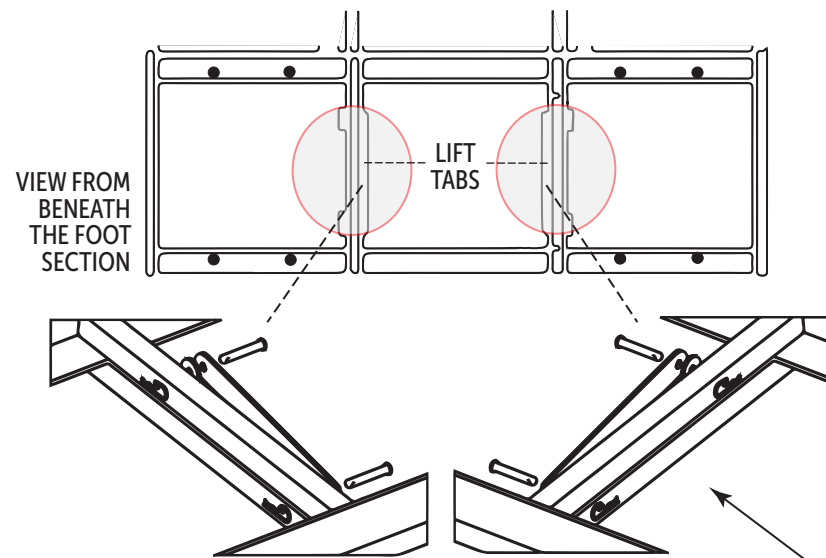


AssuredComfortBed.com

1 Unpack and check all contents. Set bed foundation on the towers.

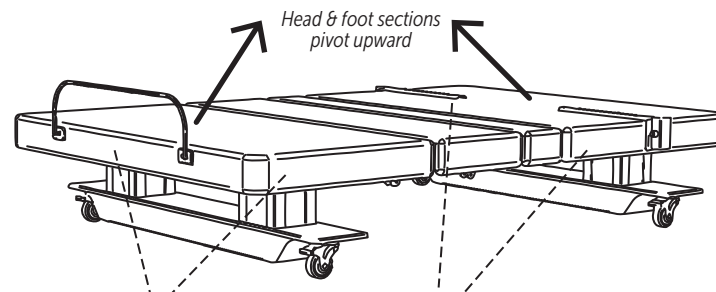


2 Look under the bed, beneath the foot section, and remove the 2 Lift Tabs.



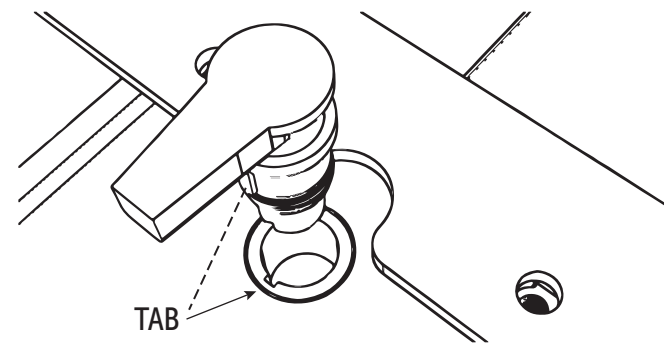
NOTE: Removing the lift tabs allows the foot section to be freed from the foundation. Head and foot sections can now lift up for access to the towers.
REINSTALL THE LIFT TABS AFTER STEP 4.

3 Lift head & foot sections to secure towers to the bed foundation.



- Each tower needs four 1/2" bolts to secure it to the foundation.
- To ensure proper alignment, start by aligning holes and inserting one bolt in each tower.
- Do not completely tighten!
- Continue process until all bolts are inserted. Then tighten all bolts down until snug.

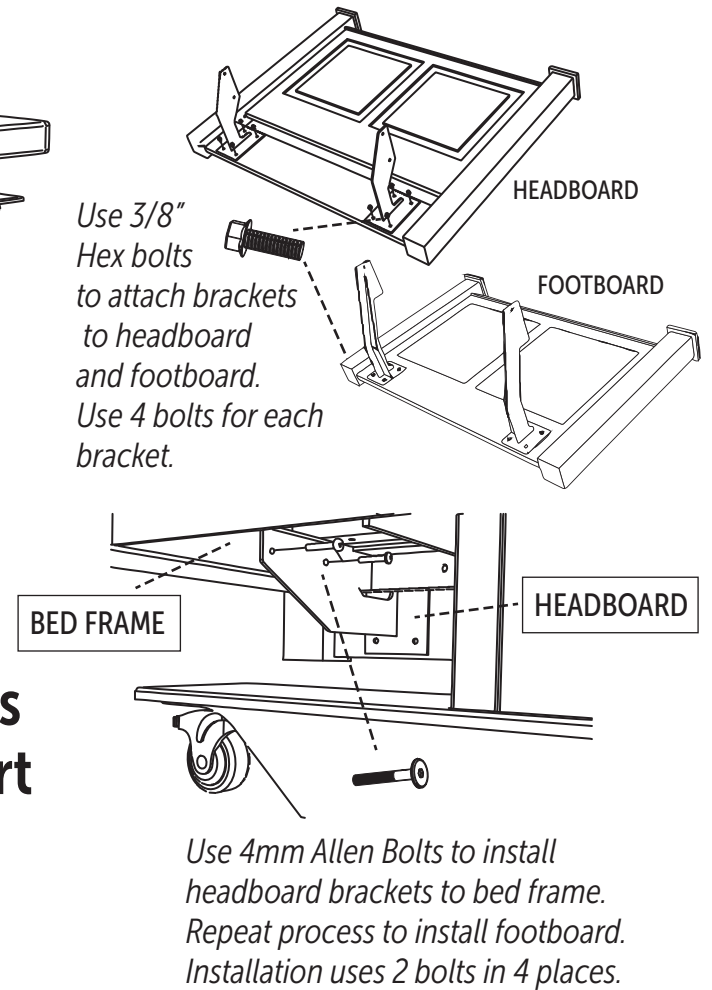
4 Locate the power plugs to the towers and insert them into their ports.



- Locate each plug near each tower and insert it into each tower port.
- Use the tab on the plug to guide the plug into the corresponding notch in the port.
- Plug in until the yellow ring is not showing.

DON'T FORGET TO REINSTALL THE LIFT TABS AND REMOVE PACKAGING FROM BASE ASSEMBLIES!

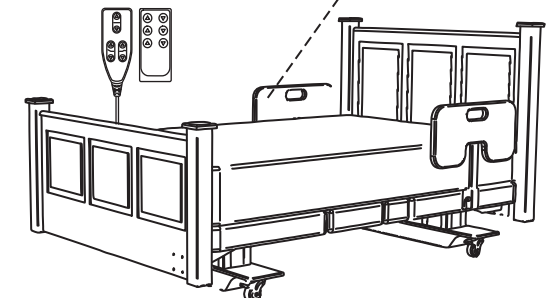
5 Attach headboard and footboard to the foundation.



Final Installation

The bed includes a corded and cordless remote. Test each to operate the bed. Functions are on the remotes.

Side Assist Rails should move up and down smoothly. When in the up position, be sure that it locks into place.



QUESTIONS? Call 866.852.2337