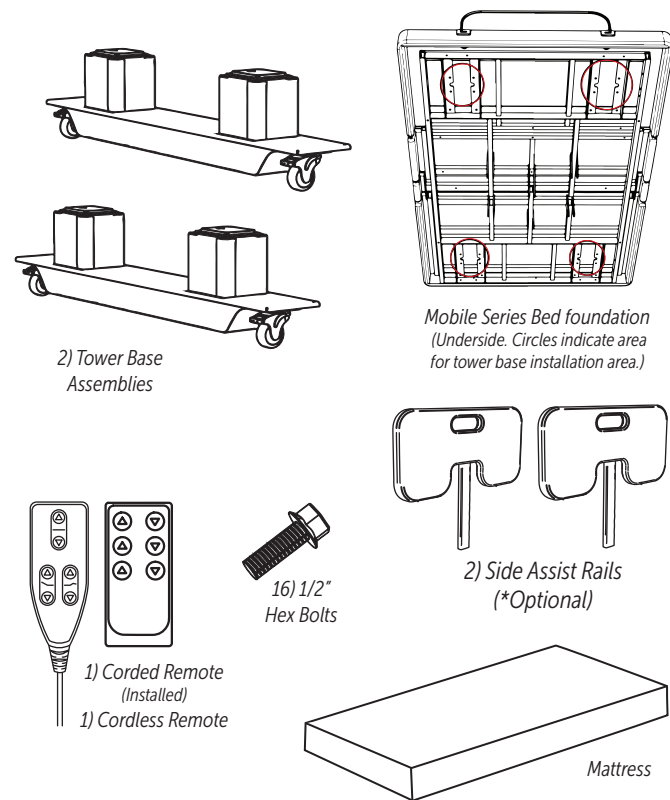


MOBILE SERIES

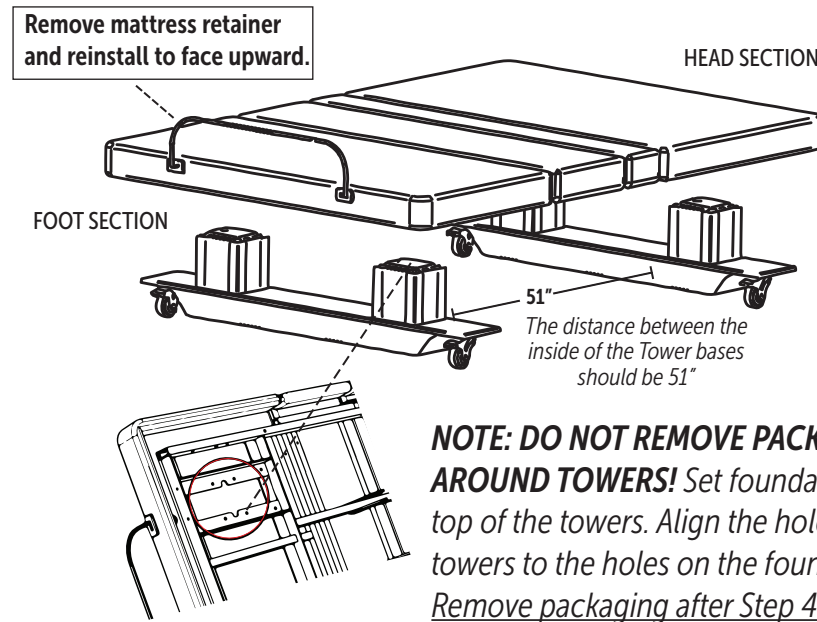
QUEEN/FULL SIZE
SIDE ASSIST RAILS*

Contents must include the following parts:



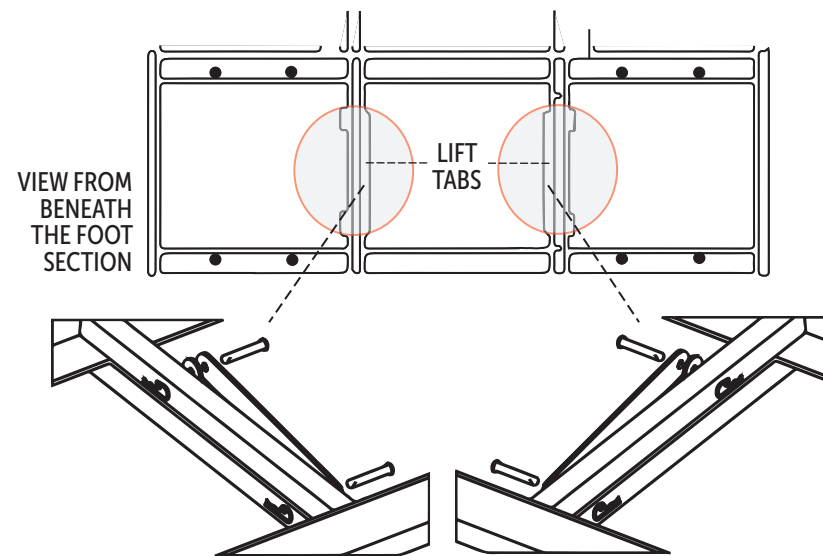
AssuredComfortBed.com

1 Unpack and check all contents. Set bed foundation on the towers.



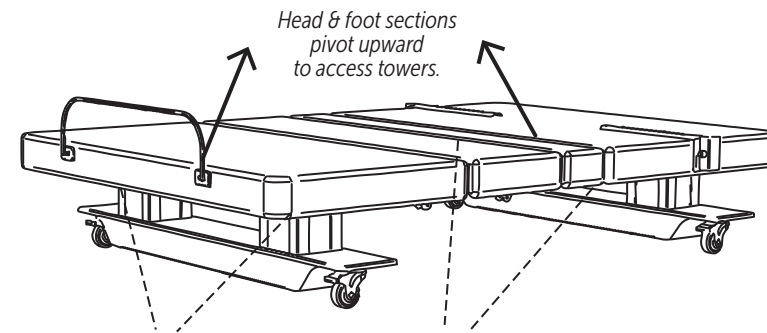
NOTE: DO NOT REMOVE PACKAGING AROUND TOWERS! Set foundation on top of the towers. Align the holes on the towers to the holes on the foundation. Remove packaging after Step 4.

2 Look under the bed, beneath the foot section, and remove the 2 Lift Tabs.



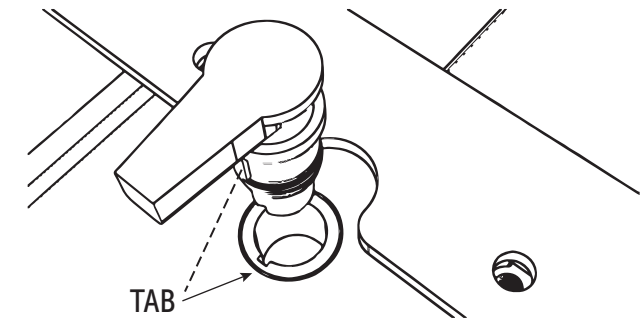
NOTE: Removing the lift tabs allows the foot section to be freed from the foundation. Head and foot sections can now lift up for access to the towers.
REINSTALL THE LIFT TABS AFTER STEP 4.

3 Lift head & foot sections and secure towers to foundation.



- Each tower needs four 1/2" bolts to secure it to the foundation.
- To ensure proper alignment, start by aligning holes and inserting one bolt in each tower.
- Do not completely tighten!
- Continue process until all bolts are inserted. Then tighten all bolts down until snug.

4 Locate the power plugs to the towers and insert them into their ports.

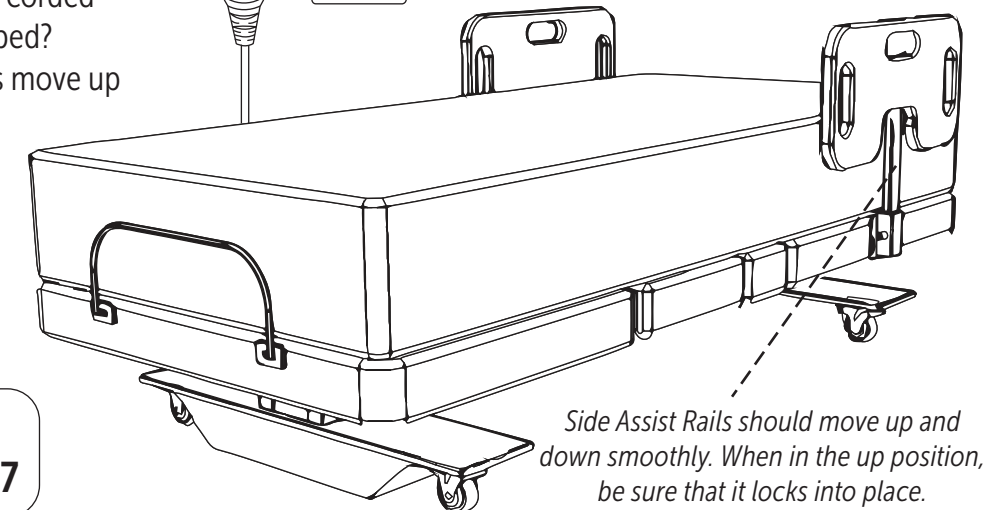
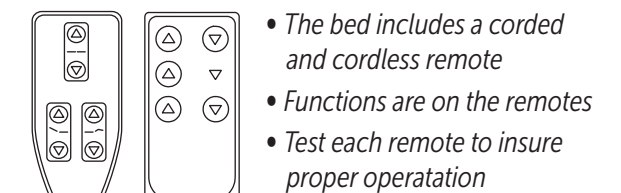


- Locate each plug near each tower and insert it into each tower port.
- Use the tab on the plug to guide the plug into the corresponding notch in the port.
- Plug in until the yellow ring is not showing.

DON'T FORGET TO REINSTALL THE LIFT TABS AND REMOVE PACKAGING FROM BASE ASSEMBLIES!

Final Installation Checklist:

1. Has the mattress retainer been turned upward and tightened?
2. Do both cordless and corded remotes operate the bed?
3. Do the side assist rails move up and down properly?



**QUESTIONS?
Call 866.852.2337**