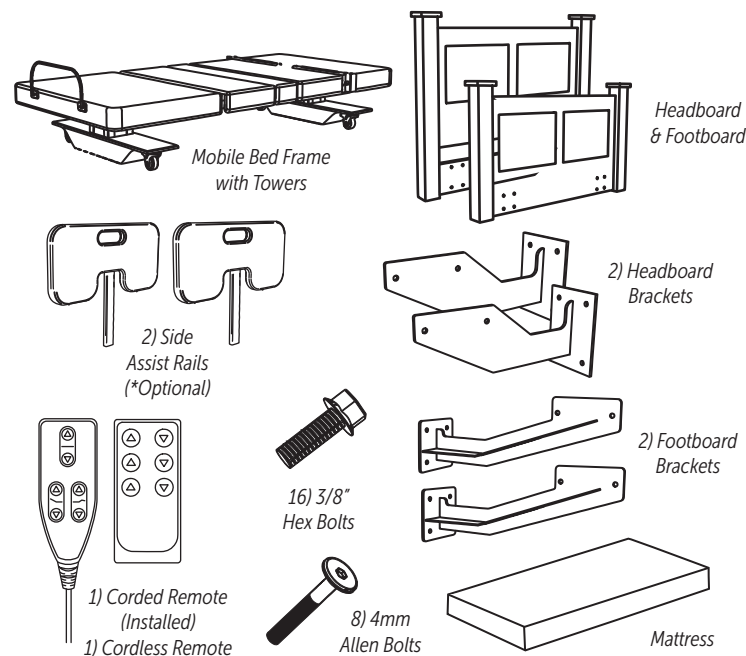


ASSEMBLY INSTRUCTIONS

MOBILE SERIES

TWIN SIZE
HEADBOARD
FOOT BOARD
SIDE ASSIST RAILS*

Contents must include the following parts:



3/8" Socket or wrench

Tools needed:

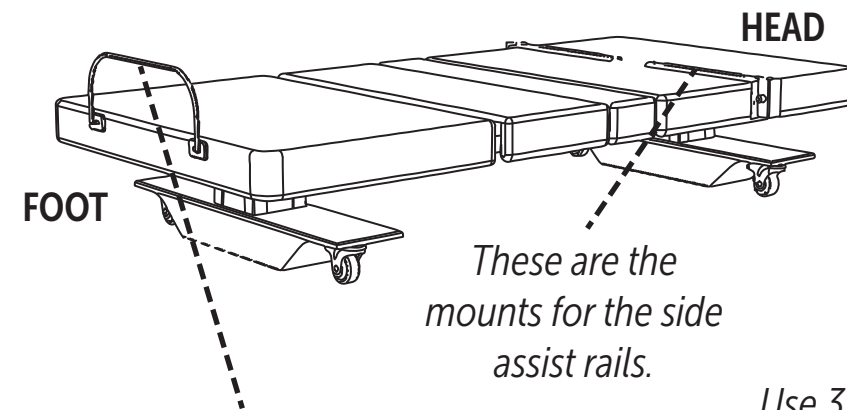


4mm Allen Wrench (Supplied)



AssuredComfortBed.com

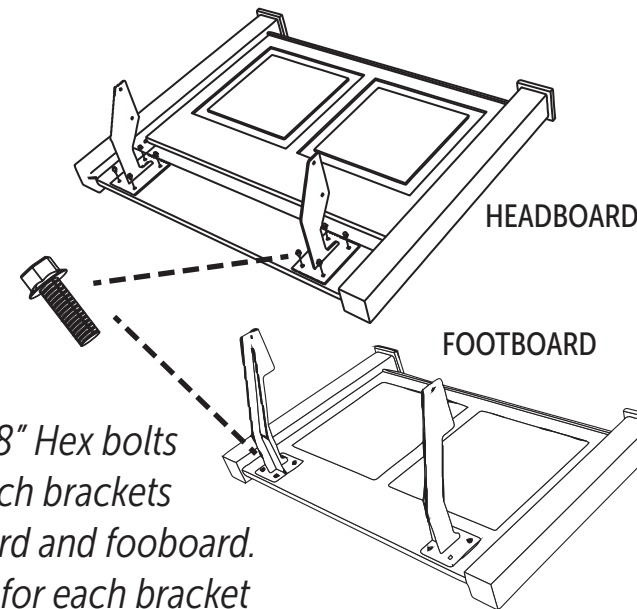
1 Unpack and check all contents. Place bed frame with towers on its casters.



These are the mounts for the side assist rails.

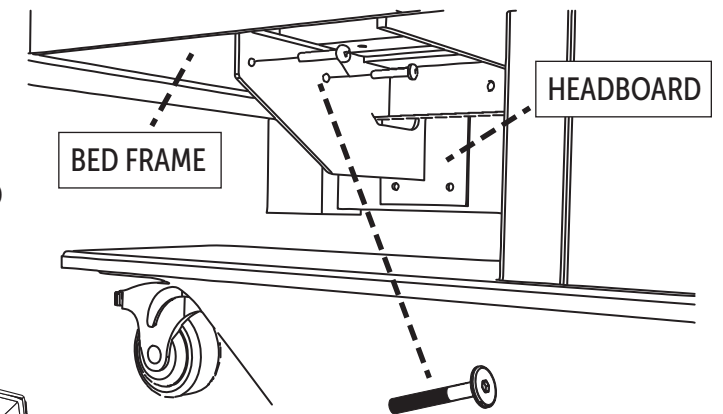
Unloosen the mattress retainer and install, tightening the retainer so it is facing upward.

2 Attach brackets to headboard and footboard.



Use 3/8" Hex bolts to attach brackets to headboard and footboard. Use 4 bolts for each bracket.

3 Install headboard and footboard brackets to the bed frame.



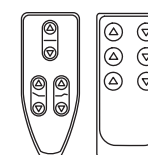
Use 4mm Allen Bolts to install headboard brackets to bed frame. Repeat process to install footboard. Installation uses 2 bolts in 4 places.

Final Installation Checklist:

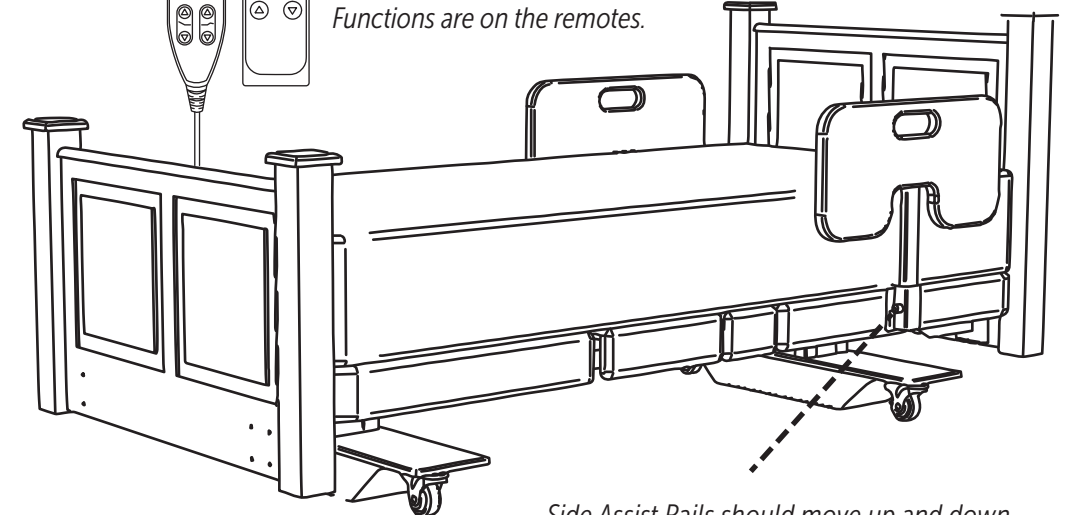
1. Has the mattress retainer been turned upward and tightened?
2. Are the appropriate brackets attached securely to the corresponding headboard and footboard?
3. Are headboard and footboard installed on the correct ends and securely attached to the bed frame?
4. Do both cordless and corded remotes operate the bed?
5. Do the side assist rails move up and down properly?

QUESTIONS? Call 866.852.2337

Assured Comfort Beds, Inc. / 3629 Reed Creek Drive / Bassett, VA



The bed includes a corded and cordless remote. Test each to operate the bed. Functions are on the remotes.



Casters may be locked by pressing the tab down.

Side Assist Rails should move up and down smoothly. When in the up position, be sure that it locks into place.